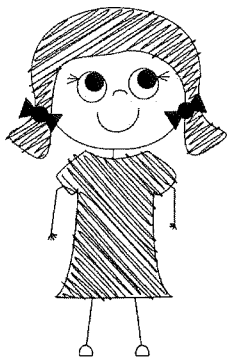


Book Report Dodecahedron Project

Student Directions



NAME _____ # _____

Read the directions for ALL assignments BEFORE you do ANY of them!

Put an "✓" in the "Done" box when you complete an activity.



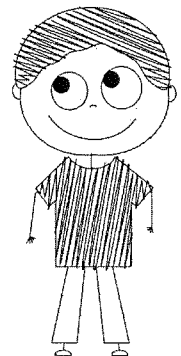
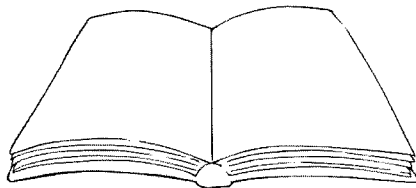
Circle	Activity	Done(✓)
1	In the box, write your first and last name. Make it BIG so it fills the space. Don't forget the date and the class you are making this for!	
2	Using the blank book, recreate the cover of your book. Don't forget the title, cover picture, author, etc. Make sure that you use color!	
3	Author Spotlight Time! In the small box, you will need to draw or print and glue a picture of the author. Next, you will need to write the author's name, three interesting facts about him/her (for help look online), and list at least 3 other books by this author. If this is a series, be sure to list books NOT in the series.	
4	Here you will need to write a three paragraph summary of your book. The first paragraph should be about the first part of the book, the second paragraph should be about the middle part, and the final paragraph should be about the "almost" end. DO NOT GIVE AWAY THE END OF THE BOOK! Use good grammar and spelling. You will need to choose your words carefully as space is limited.	
5	Think of a main character. You will need to draw/glue a picture of this character. Then you will need to explain why it is important for your class to meet this character. Think about the role he/she/it played in the story.	
6	Here you will also share another important character with your class. Draw/glue on a picture of the character and tell your class why he/she/it is an important part of the story. Use good detail!	
7	Okay, last character. Maybe here you can share with the class a character that was important to the story, but not really a main character. Or maybe you have a favorite character that was only in the story for a short time. Whomever your choose, be sure to give your classmates a picture and a great introduction.	

Continued on Back

Book Report Dodecahedron Project

8	<p style="text-align: center;">Time to connect with your book!</p> <p>Here you will need to list at least THREE text-to-text, THREE text-to-self, and THREE text-to-world connections. You can use pictures, words, or both. Remember, three of EACH connection is required.</p>	
9	<p>Quick, think of FIVE people whom you KNOW would love reading this book! Is it grandma? Aunt Susan? Your best friend? Sister? Mom? For each person, draw/glue a picture of that person and write one sentence why you think they MUST read the book.</p>	
10	<p style="text-align: center;">When we read, we see a movie in our mind. This is called visualization. Think back over the story you read, what was your favorite scene? Got it?</p> <p>Good- NOW draw it and write a short caption on the lines under the box. If the end is your favorite scene, you will need to pick your second favorite scene and draw it. Use good detail and color.</p>	
11	<p style="text-align: center;">"BUY ME NOW!"</p> <p>That is what this circle should scream at whomever looks at it. In the box draw an eye-catching poster/billboard. Then, on the lines, write a great sales pitch for the book. Was it a best-seller? Did it keep you turning page after page? Share all the excitement with your classmates!</p> <p>Use lots of color and catchy words (A thesaurus might be helpful on this circle!)</p>	
12	<p style="text-align: center;">And the verdict is...</p> <p>This is your chance to be a book reviewer- you know, someone who tells others if a book was good and why. You will need to decide if this book was a 1-star book (meaning it wasn't really good), a 5-star book which means it totally rocked, or somewhere in-between. Whatever your choice, be sure to explain why. Make sure your reason(s) really support your choice of stars!</p>	

Once you have finished all 12 circles, you are ready to connect them together. Ask your teacher for help.

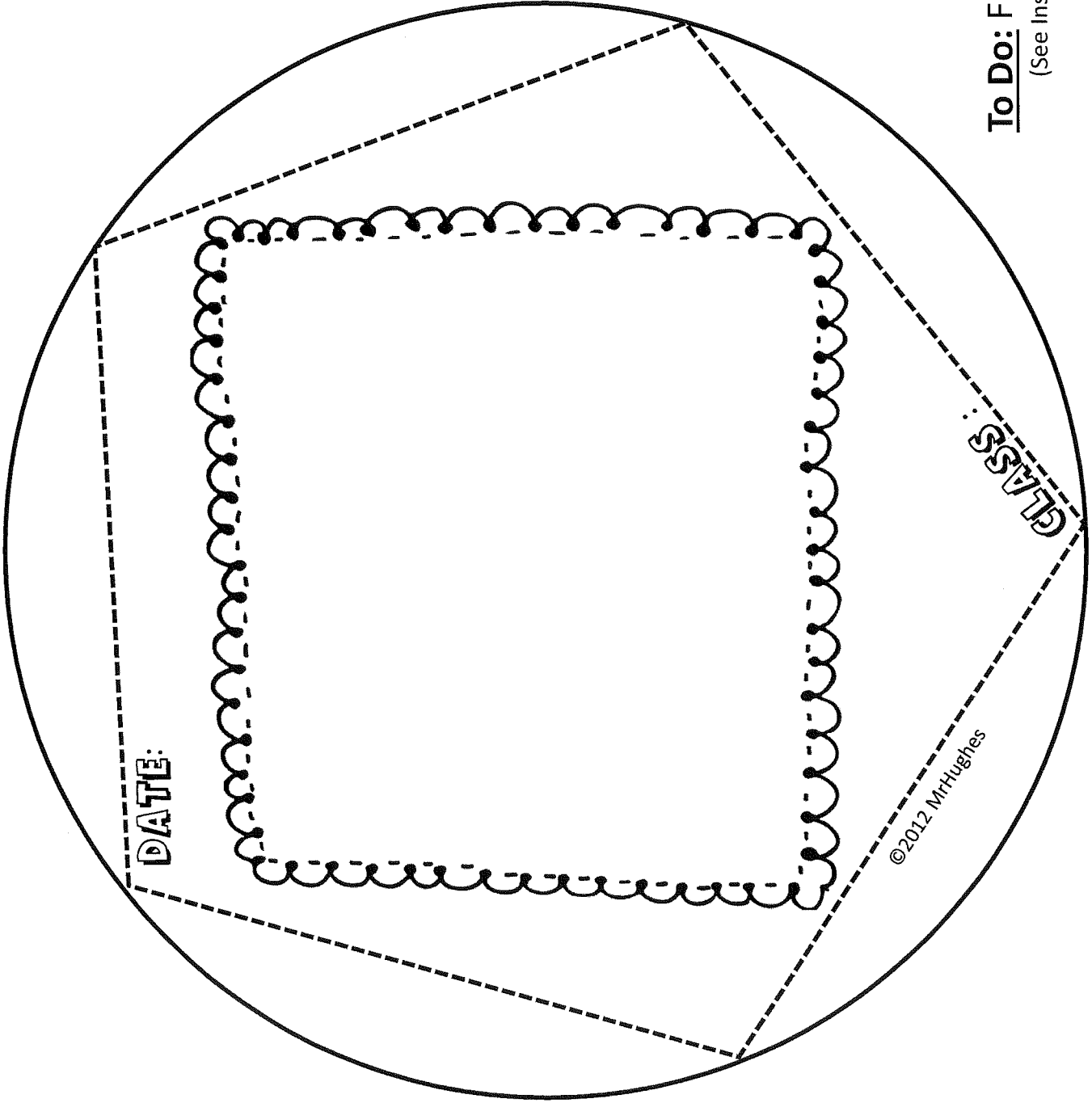


Circle #1

Only write in the
WHITE area of the
circle.

Remember to
complete the
activity on the
circle BEFORE
cutting it out.

Once you have cut
around the circle
(leaving the black
line), fold each of
the five tabs
upward on the
dotted lines.



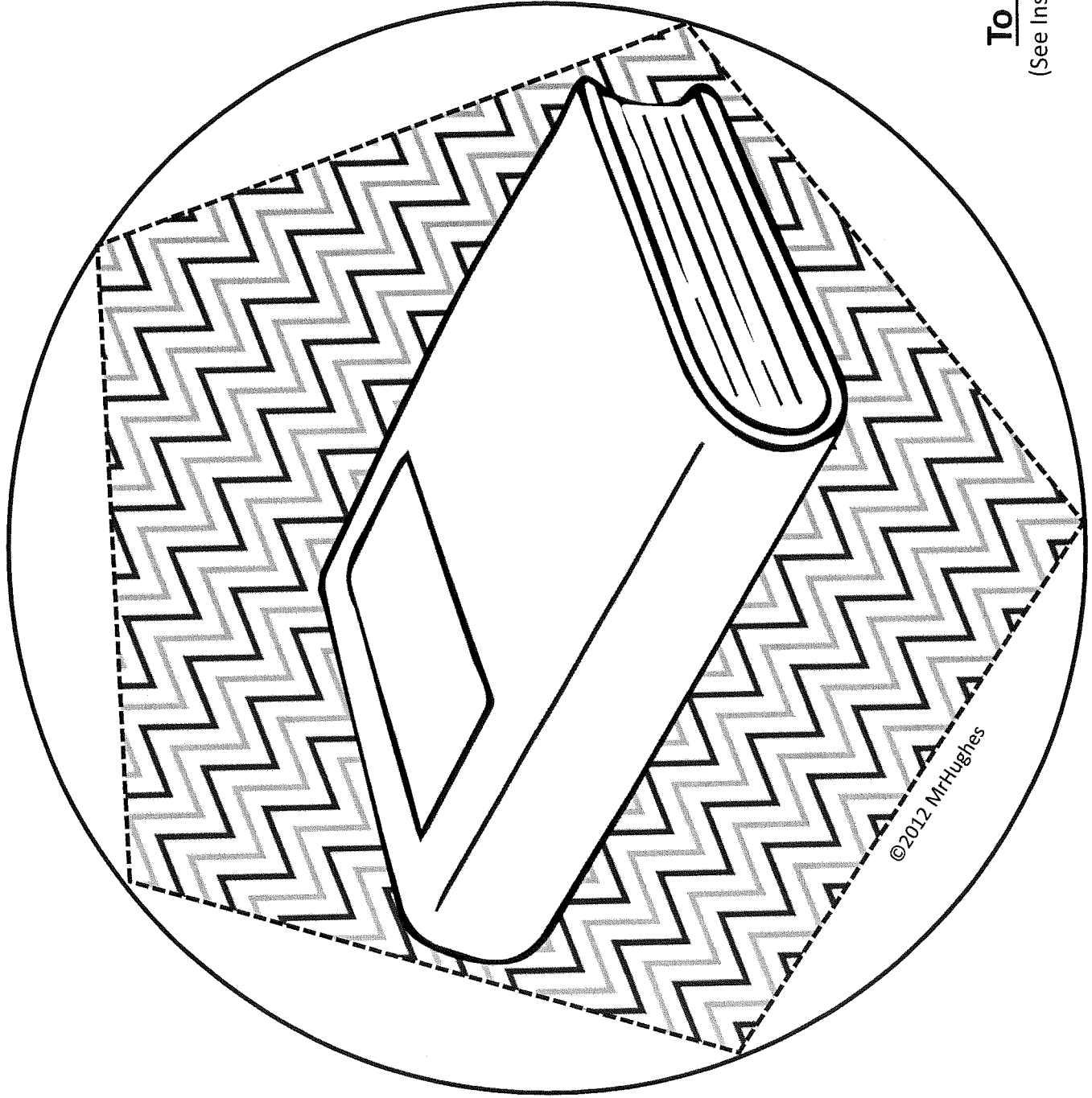
To Do: First and Last Name
(See Instruction Sheet for Details)

Circle #2

Only write in the
WHITE area of the
circle.

Remember to
complete the
activity on the
circle **BEFORE**
cutting it out.

Once you have cut
around the circle
(leaving the black
line), fold each of
the five tabs
upward on the
dotted lines.



To Do: Book Cover
(See Instruction Sheet for Details)

Circle #3

Only write in the WHITE area of the circle.

Remember to complete the activity on the circle BEFORE cutting it out.

Once you have cut around the circle (leaving the black line), fold each of the five tabs upward on the dotted lines.

To Do: Author Bio

(See Instruction Sheet for Details)

Author Spotlight

Author's Name: _____

Three Interesting Facts:

Other Books By This Author Include:

©2012 MrHughes

Circle #4

Only write in the WHITE area of the circle.

Remember to complete the activity on the circle BEFORE cutting it out.

Once you have cut around the circle (leaving the black line), fold each of the five tabs upward on the dotted lines.

What you need to know about this book is...

©2012 MrHughes

To Do: 3 Paragraph Summary
(See Instruction Sheet for Details)

Circle #5

Only write in the WHITE area of the circle.

Remember to complete the activity on the circle BEFORE cutting it out.

Once you have cut around the circle (leaving the black line), fold each of the five tabs upward on the dotted lines.

To Do: Meet Character 1
(See Instruction Sheet for Details)

INTRODUCING _____

THIS IS WHY YOU NEED TO KNOW THIS CHARACTER:

©2012 MrHughes

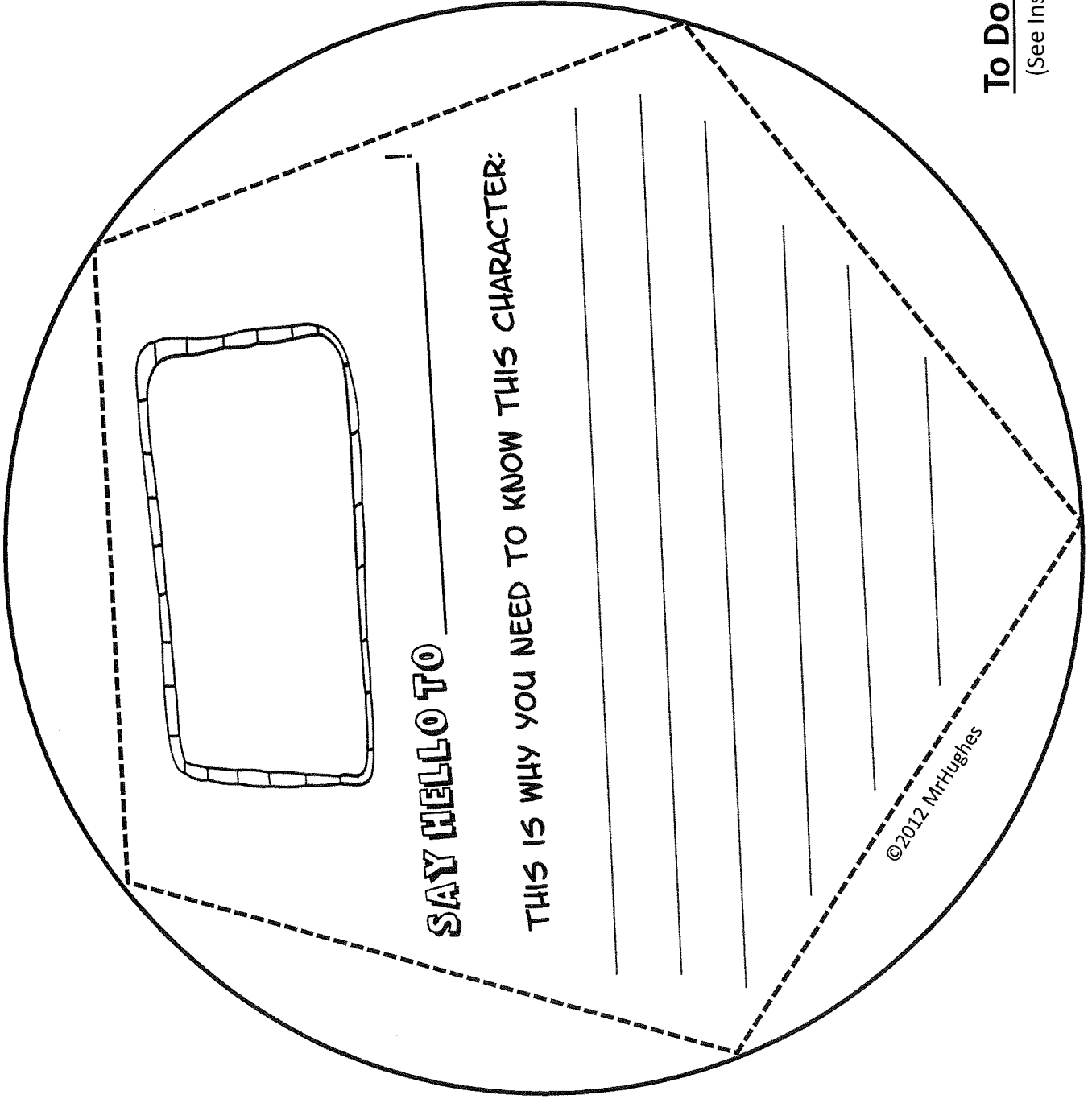
Circle #7

Only write in the WHITE area of the circle.

Remember to complete the activity on the circle BEFORE cutting it out.

Once you have cut around the circle (leaving the black line), fold each of the five tabs upward on the dotted lines.

To Do: Meet Character 3
(See Instruction Sheet for Details)

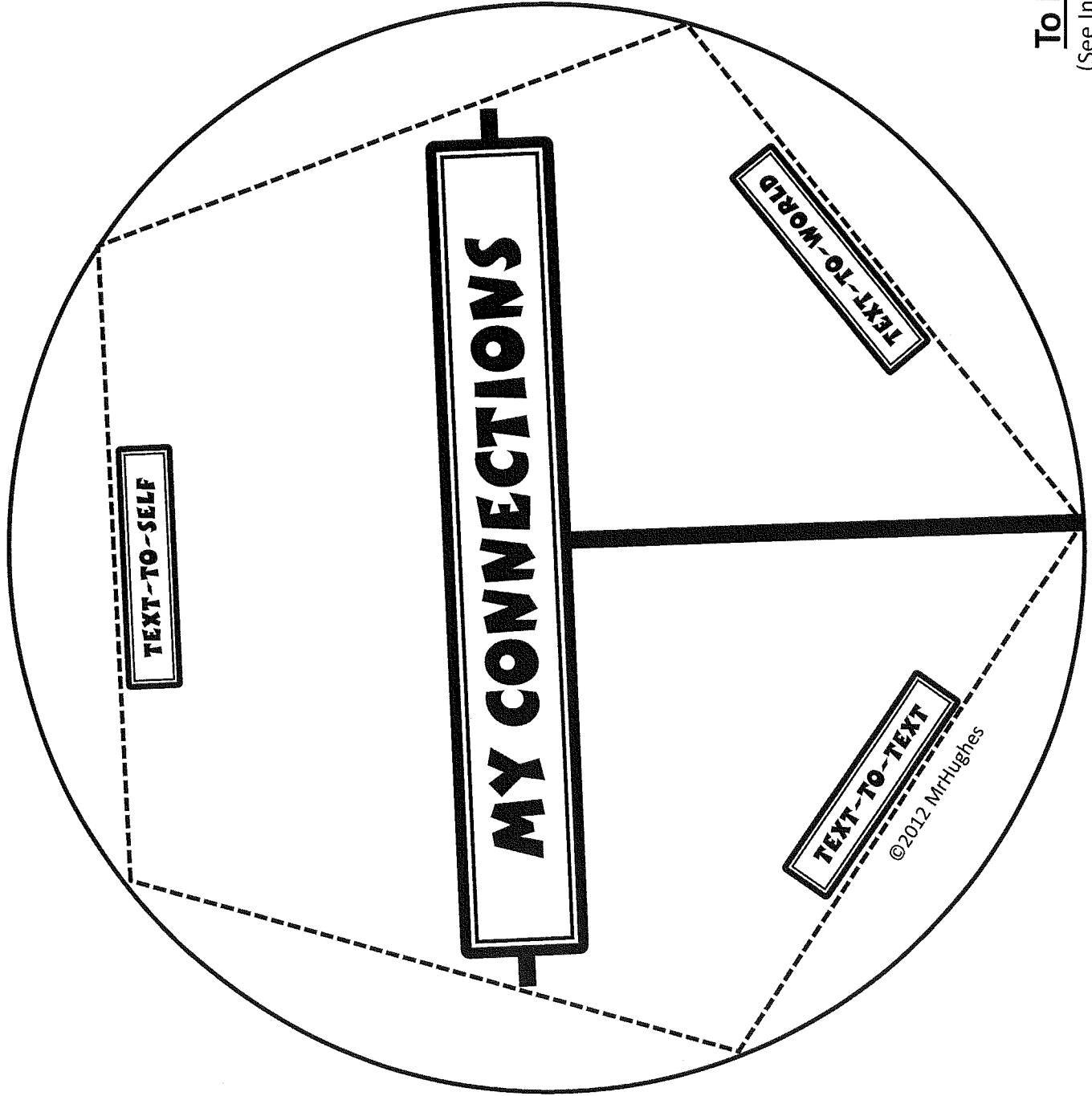


Circle #8

Only write in the WHITE area of the circle.

Remember to complete the activity on the circle BEFORE cutting it out.

Once you have cut around the circle (leaving the black line), fold each of the five tabs upward on the dotted lines.



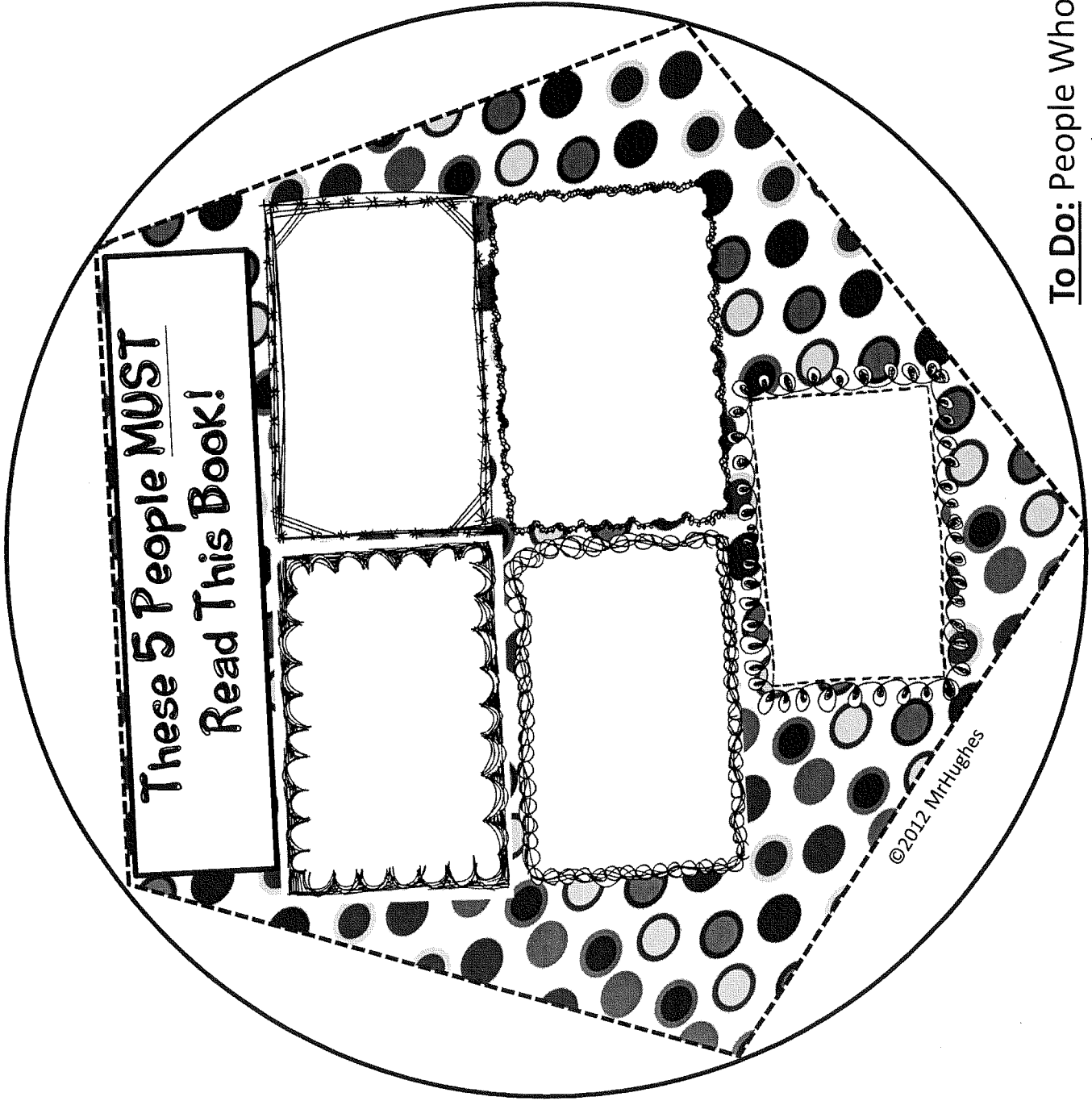
To Do: Connections
(See Instruction Sheet for Details)

Circle #9

Only write in the WHITE area of the circle.

Remember to complete the activity on the circle BEFORE cutting it out.

Once you have cut around the circle (leaving the black line), fold each of the five tabs upward on the dotted lines.



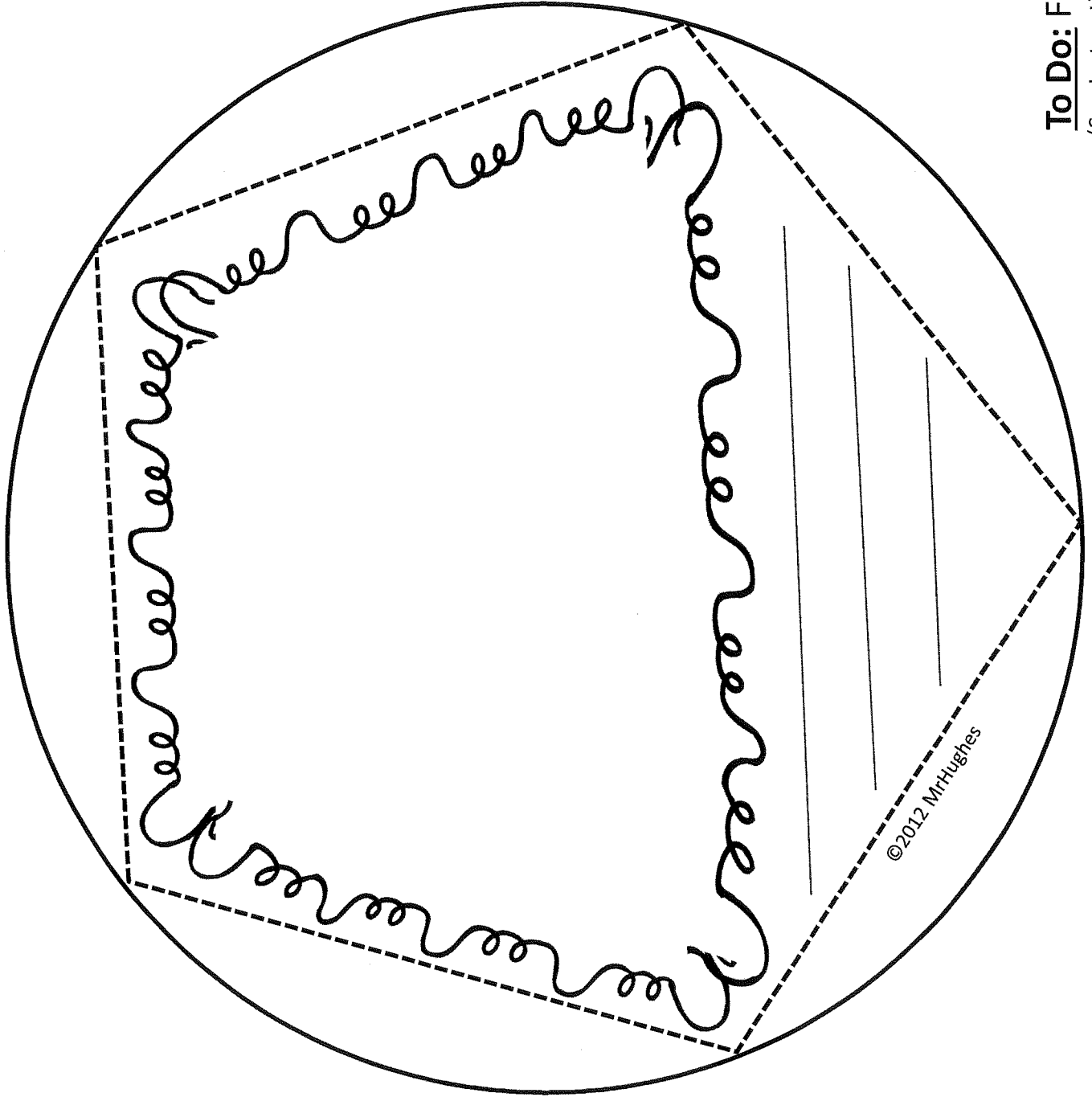
To Do: People Who MUST Read This Book
(See Instruction Sheet for Details)

Circle #10

Only write in the
WHITE area of the
circle.

Remember to
complete the
activity on the
circle **BEFORE**
cutting it out.

Once you have cut
around the circle
(leaving the black
line), fold each of
the five tabs
upward on the
dotted lines.



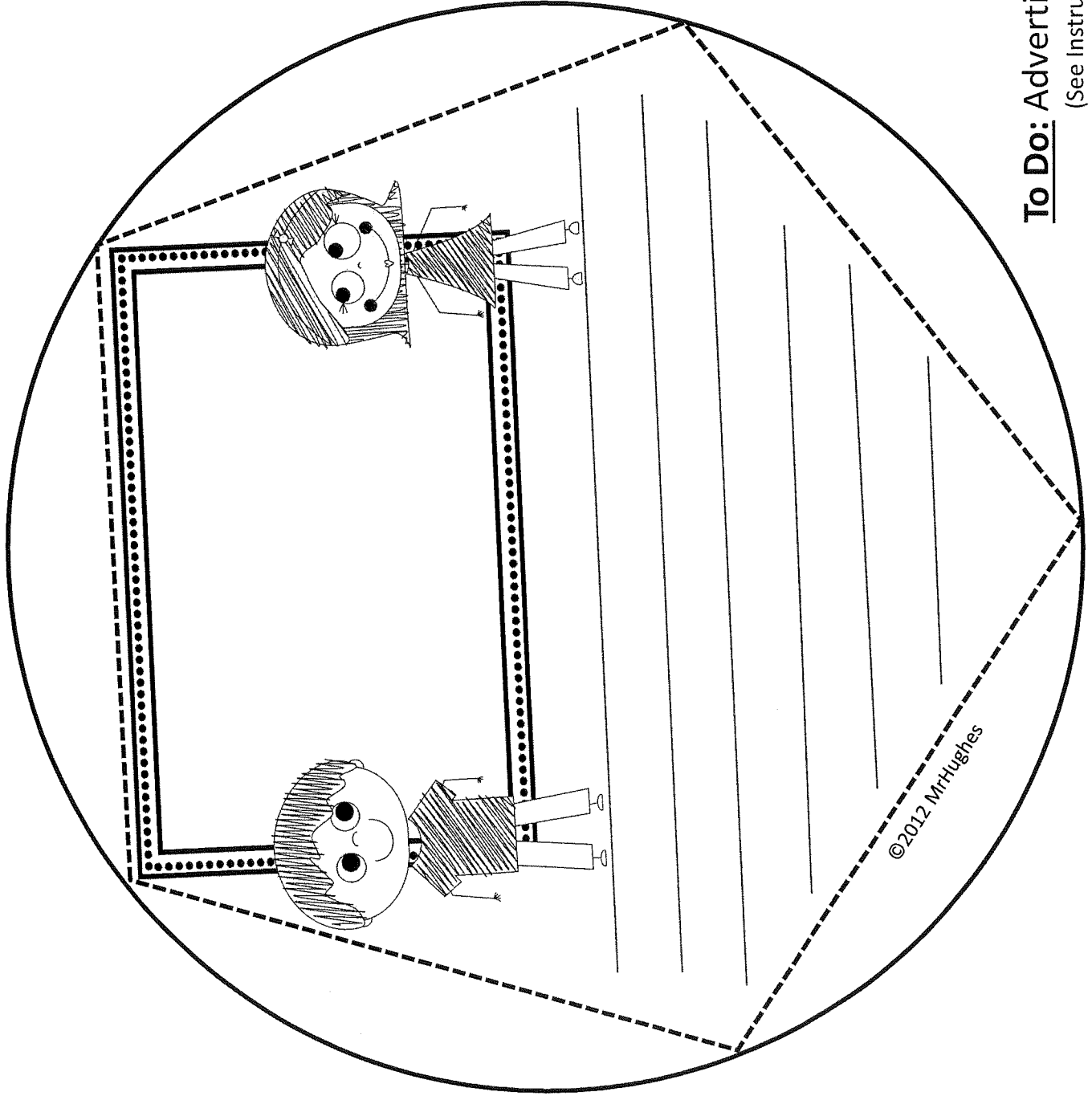
To Do: Favorite Scene
(See Instruction Sheet for Details)

Circle #11

Only write in the
WHITE area of the
circle.

Remember to
complete the
activity on the
circle BEFORE
cutting it out.

Once you have cut
around the circle
(leaving the black
line), fold each of
the five tabs
upward on the
dotted lines.



To Do: Advertisement for Book
(See Instruction Sheet for Details)

Circle #12

Only write in the
WHITE area of the
circle.

Remember to
complete the
activity on the
circle BEFORE
cutting it out.

Once you have cut
around the circle
(leaving the black
line), fold each of
the five tabs
upward on the
dotted lines.

To Do: "And the Verdict Is..."
(See Instruction Sheet for Details)

